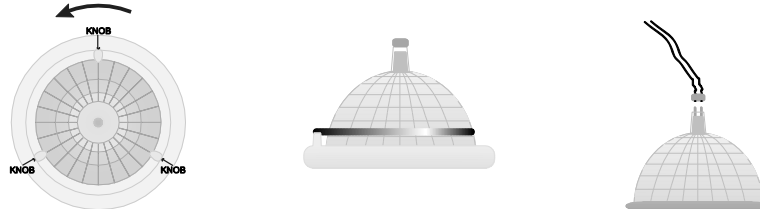


## General Maintenance

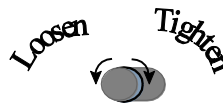
**Top Lights:** The installed halogen or LED lights can be easily replaced with MR16 bulbs available at most local hardware or lighting stores. LED and halogen cannot be interchanged. **DO NOT TWIST BULBS.** First unscrew the guard that secures the light, twisting it counter-clockwise by pressing against its knobs. Extract the light and its bracket from the case top, and then detach the light from the metal clasp. Pull light from its socket and discard. Install new light, inserting its twin prongs into the double socket. Reattach bracket by popping light back into the clasp. Reinsert the unit into the case top and twist clockwise to lock.



**Sidelights:** For halogen, you can only exceed seven spotlights if you have purchased additional electrical power supply for showcase. Side light bulbs are **MR11**. To replace light bulbs on side spotlights do not twist the bulb. Pull the bulb straight out of the fixture. Twisting will cause the pins to break off in the spotlight holder and a new spotlight holder will need to be purchased.

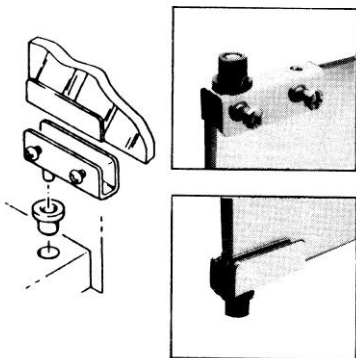


**Adjustable Shelves:** The shelves of your new showcase can adjust to any height. The cylindrical shelf supports are preset at the factory, but can be moved: (1) Grip the shelf support with your thumb and index finger and turn counterclockwise to loosen. (2) Raise or lower the shelf support to the desired height. (3) Tighten the support in the new location by turning firmly clockwise.



### Adjusting the Alignment of Your Tecno Showcase Hinged Door:

Tecno Showcases are designed and tested for precision. However, vibrations during shipping can sometimes cause the cabinet door to misalign. You should periodically check and re-align your door as needed throughout usage. If you find your showcase door is not closing properly, you can make these simple adjustments with a Phillips head screwdriver:



1. With the showcase open, steady the upper right edge of the door with your hand.
2. Loosen both screws just enough to allow the door to slide inside the bracket, then straighten.
3. Tighten one screw and check if door will close properly at top. Then tighten other screw.
4. If the cabinet door is now misaligned below, adjust the lower bracket screws.
5. Steady the door by holding the lower right edge to prevent it from slipping while adjusting.
6. Loosen both screws and adjust. Check if door now aligns with the cabinet and tighten screws.

**NOTE: It is extremely important to hold the right edge of the door securely while adjusting the screws.**